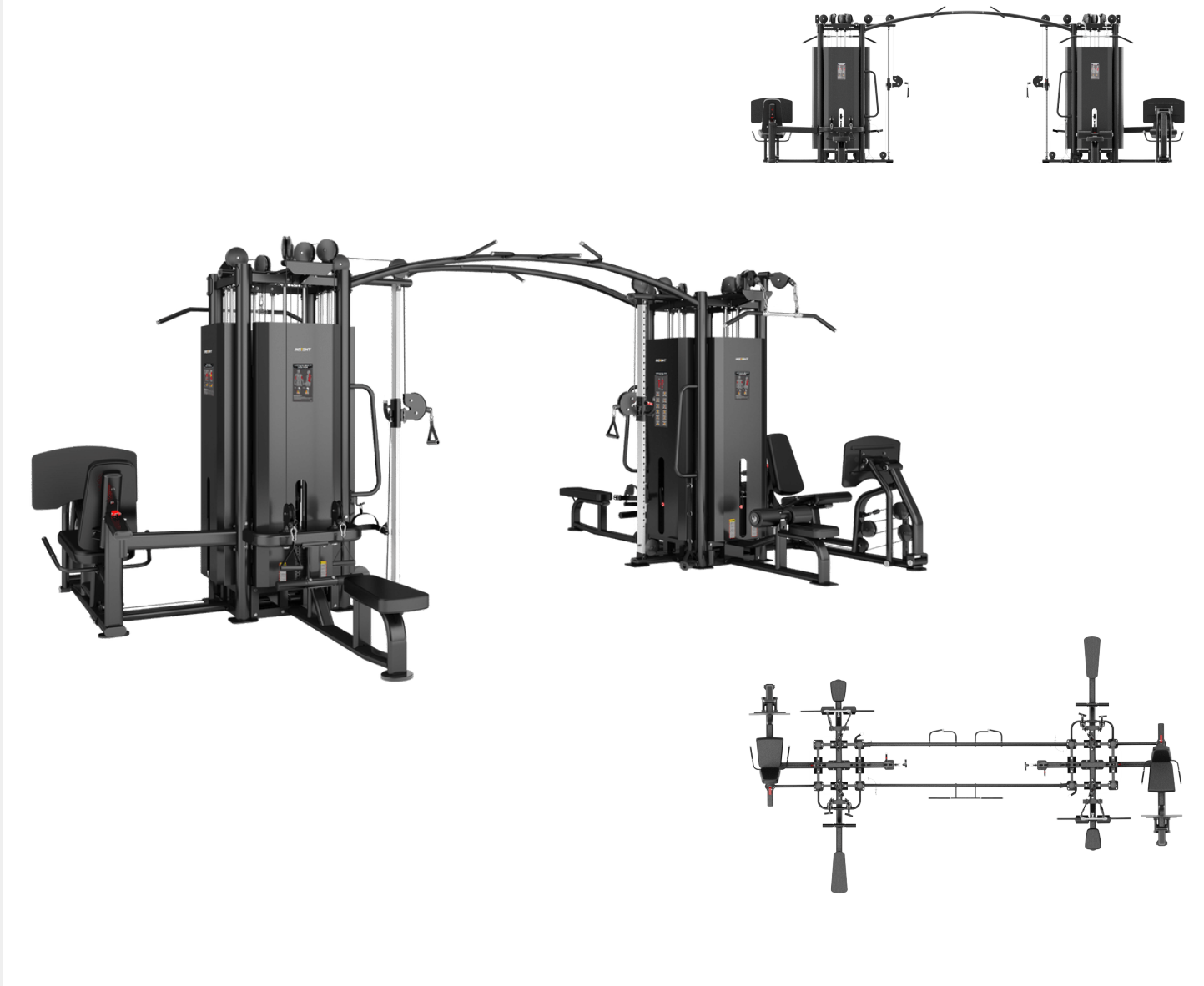


## SA SELECTORIZED SERIES

## SA039 - 8 STACK MULTI-STATION



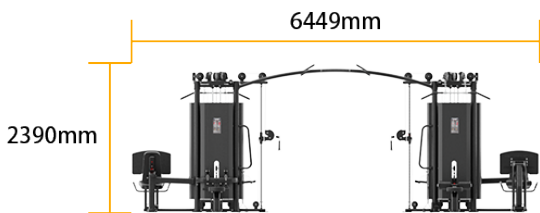
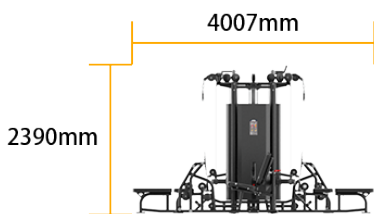
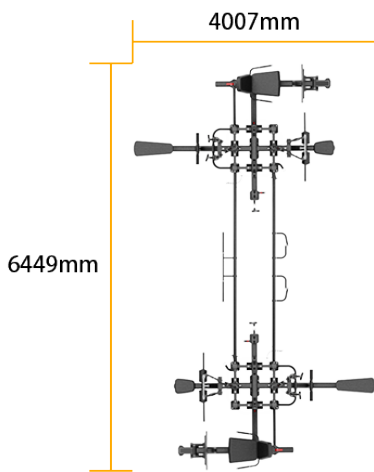
## PRODUCT OVERVIEW

The SA039 is a commercial-grade selectorized strength training station built upon the SA multi-station system. Designed for modern fitness facilities, it features eight independent training modules, allowing multiple users to train simultaneously. This highly integrated unit maximizes space efficiency while offering comprehensive functionality. Engineered with a solid frame and high-precision pulley system, the SA039 delivers smooth, controlled movements even under high loads—ensuring safety, stability, and premium performance throughout every workout session. It is an indispensable all-in-one training hub for professional gym environments.

# SPECIFICATIONS & KEY FEATURES

## Specifications

Dimension:	6449*4007*2390mm
Total Weight:	1583kg
Weight Stack:	100kg*8
Max Weight Stack:	125kg*8



## Product Features



### Seated Low Row Module

Designed to build back muscle thickness, this module features an ultra-smooth pulley system and independent handle design to prevent muscle imbalances. The height of the pulley and handle complies with U.S. ANSUR and Chinese GB/T 10000-2020 adult body dimension standards, ensuring adaptability across diverse user body types. The horizontal foot bar offers enhanced ankle mobility and supports varied dorsiflexion capacities. An extended seat track allows full range of motion for deep, continuous activation of the back muscles.



### Lat Pulldown Module

Engineered for back width development, this module incorporates a high-mounted pulley system for a full motion path that effectively stretches and contracts the back muscles. It supports both bilateral and unilateral pulldown variations using four interchangeable grip options, including the handles from the low row module. The 10-position adjustable thigh pad accommodates users of different heights and leg sizes, while the seat height is ergonomically set to promote natural sitting posture and smooth, effective force application.



### Seated Leg Press Module

This leg training module integrates a high-precision linear guide rail and smooth pulley system for consistent and fluid movement. The oversized anti-slip footplate supports narrow-to-wide stances and low-to-high foot positions, activating key muscle groups including the quadriceps, glutes, hamstrings, and adductors. A 10-position adjustable backrest ensures optimal force alignment for users of varying heights and leg lengths, enhancing both comfort and training results.



### Adjustable Cable Crossover Module

Equipped with a dual-grip pull-up bar at the top, this station supports a range of grip widths and angles to accommodate diverse upper body training goals, from strength to core conditioning. The double-bridge frame enhances structural stability and allows two users to train simultaneously without interference. With up to 32 positions of height adjustment, the dual pulley system enables high, mid, and low cable exercises with smooth tracking and precise control. Stabilization handles on both sides assist with maintaining posture during lower body movements such as glute or leg-focused exercises, ensuring proper form and improved muscle engagement.